



MODEL 821

SOUNDEXPERT® SOUND LEVEL METER

- Class 1 Meter with touch display
- Long battery life – up to 40 hours
- USB and Bluetooth communication
- 8 GB microSD for data storage
- USB, Qi, or external 12 V power
- Optional 1/1 and 1/3 Octave Filters

TYPICAL APPLICATIONS

- Environmental noise
- City noise
- Environmental impact studies
- Construction noise
- Monitoring noisy venues

NOISE MEASUREMENTS AT YOUR FINGERTIPS

Want a sound level meter that works like your phone? The SoundExpert Model 821 does just that with a large touch display viewable in any condition. Whether making handheld noise measurements or measuring environmental noise for a several weeks, the SoundExpert Model 821 is an excellent choice for ease of use and low power operation.

The SoundExpert Model 821 in its basic form includes the essentials for measuring noise by providing:

- A, C, and Z frequency weightings
- F, S, and I time weightings
- Full featured data logging

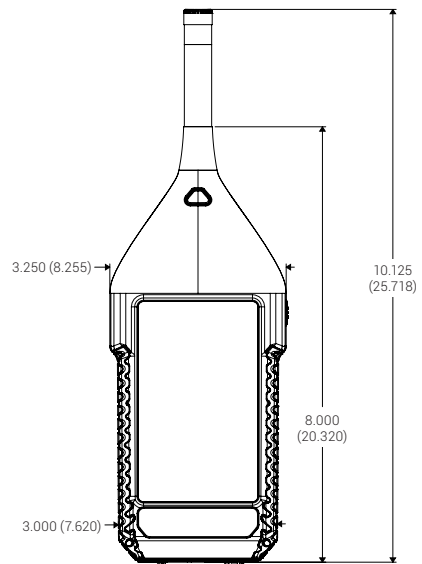
Using the included G4 LD Utility software, data can be downloaded, visualized, manipulated, and exported to a variety of formats including Microsoft Excel® .xlsx.

For more advanced applications, options such as 1/1 or 1/3 octave filters for frequency analysis are available. When protection and extra power are needed for unattended outdoor noise measurements, choose from a variety of protective cases with batteries, solar power, and grid/mains power capabilities.

The SoundExpert Sound Level Meter Model 821 together with Larson Davis quality and customer support delivers a professional solution you can trust.

Preliminary

SPECIFICATIONS	
Dynamic Range (A-weighted typical)	17 to 140 dB
Time Weightings	Fast, Slow & Impulse
Frequency Weightings	A, C & Z
Data Storage (μSDHC card)	8 GB standard Up to 256 GB
Communication	USB-C, Bluetooth BLE 4.1
Display	480 x 800 color with capacitive touch
Power	Internal Lithium battery, USB-C or external 12 V
Battery Recharge	Qi Wireless, USB-C, or external 12 V
Typical Runtime (internal battery @ 22 C)	40 hours (display off) 15 hours (display on)
External Power	6 V to 24 V DC (720 mW typical w/display off)
Logging	Time history: 100 ms to 1 h Measurement History: 1 min to 6 h
Metrics	Leq, Lmax, Lmin, Lpeak, Ln (6 values), LDN, LDEN, Time above
1/1 and 1/3 Octave Metrics (Optional)	Leq, Lmax, Lmin
Signal Output	AC/DC on 3.5 mm TRS jack
Preamplifier	Removable PRM821
Operating Temperature	-30 to 60 °C
Dimensions (H x W x D)	10.1 x 3.3 x 1.3 inches 260 x 83 x 32 mm
Weight	12.1 oz (383 g)
Filters (Optional)	
Bandwidth	1/1 and 1/3 Octaves
Frequencies (base 10)	1/1: 8 Hz to 16 kHz 1/3: 6.3 Hz to 20 kHz
Standards Compliance	ANSI S1.11-2014 Class 1 IEC 61260:2014 Class 1
Standards	
Acoustic	ANSI S1.4-2014 Class 1 IEC 61672-1:2013 Class 1
Noise Dosimetry (Optional)	ANSI S1.25-1991 IEC 61252:2017
Safety	Directive 2014/35/EU IEC 61010-1:2010 RoHS Directive 2011/65/EU
Approvals	CE, RoHS, WEEE



Outline Drawing - Front

Dimensions in inches (centimeters).



Meter Ports

Preliminary



3425 Walden Avenue, Depew, NY 14043 USA

larsondavis.com | sales@larsondavis.com | 888 258 3222 | +1 716 926 8243

© 2023 PCB Piezotronics - all rights reserved. PCB Piezotronics is a wholly-owned subsidiary of Amphenol Corporation. Endevco is an assumed name of PCB Piezotronics of North Carolina, Inc., which is a wholly-owned subsidiary of PCB Piezotronics, Inc. Accumetrics, Inc. and The Modal Shop, Inc. are wholly-owned subsidiaries of PCB Piezotronics, Inc. IMI Sensors and Larson Davis are Divisions of PCB Piezotronics, Inc. Except for any third party marks for which attribution is provided herein, the company names and product names used in this document may be the registered trademarks or unregistered trademarks of PCB Piezotronics, Inc., PCB Piezotronics of North Carolina, Inc. (d/b/a Endevco), The Modal Shop, Inc. or Accumetrics, Inc. Detailed trademark ownership information is available at www.pcb.com/trademarkownership. In the interest of constant product improvement, specifications are subject to change without notice.

DS-0259 revA 0223