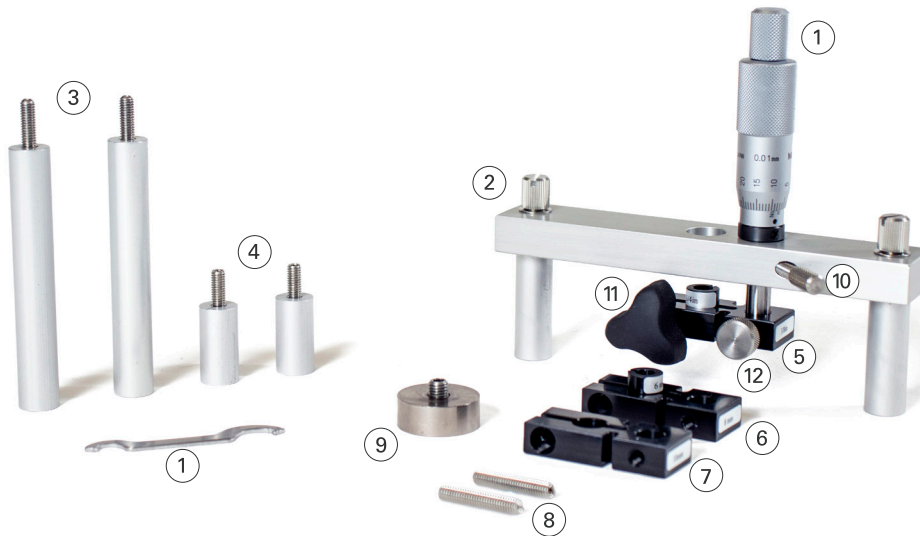


## 9100 Proximity Probe Adaptor Kit

Model 9100-PPA01

Model 9100-MPPA01



- ① Micrometer Barrel (and wrench)
- ② Probe Bar (with attached 1 1/2 in spacers)
- ③ 3 1/4 in Spacer (QTY 2)  
(10-32 set screws shown installed)
- ④ 1 in Spacer (QTY 2)  
(10-32 set screws shown installed)
- ⑤ 8 mm Probe Bracket (with 6 mm reducer)
- ⑥ 3/8 in Probe Bracket (with 1/4 in reducer)
- ⑦ 10 mm Probe Bracket
- ⑧ 10-32 x 1 in Set Screws (QTY 6)
- ⑨ AISI 4140 Steel Target  
(with 1/4-28 set screw)
- ⑩ Narrow 10-32 Thumb Screw (QTY 2)
- ⑪ 10-32 Three Arm Knob
- ⑫ 10-32 Thumb Screw